

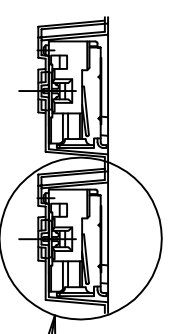
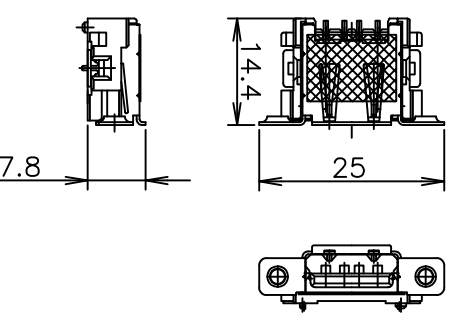
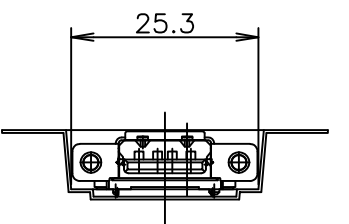
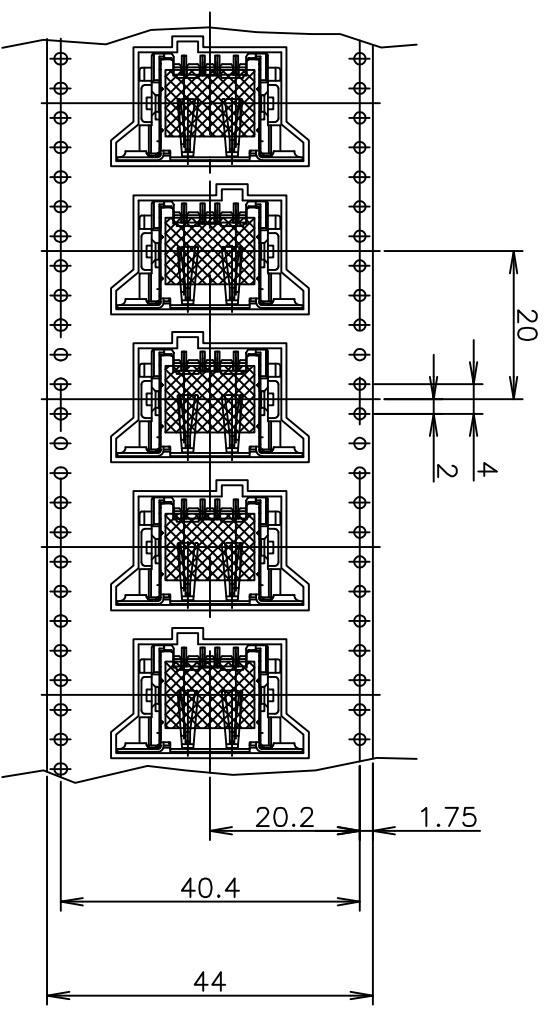
THIS DRAWING IS UNPUBLISHED.  
 © COPYRIGHT BY TYCO ELECTRONICS CORPORATION. ALL RIGHTS RESERVED.

RELEASED FOR PUBLICATION

REVISIONS

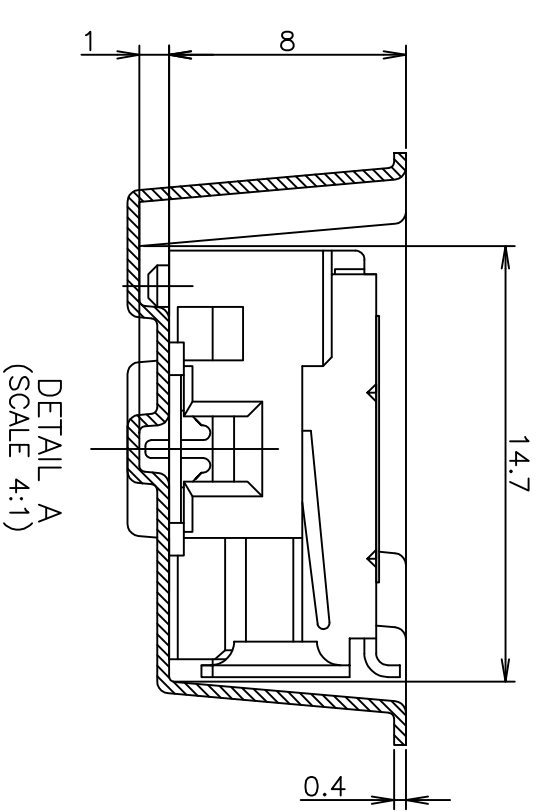
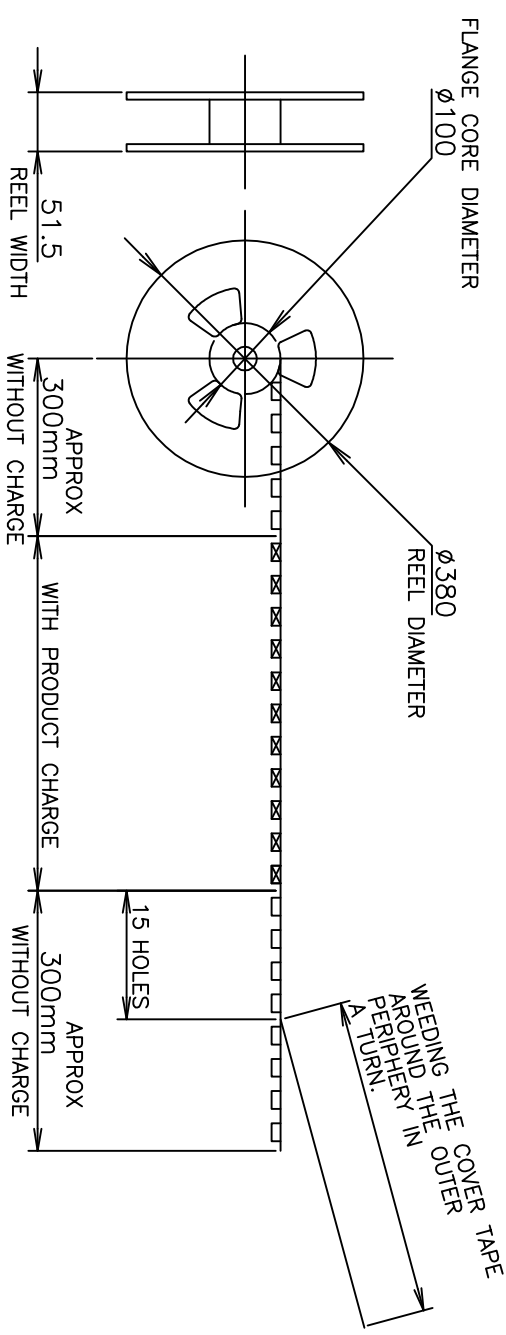
Loc	DIST	P	TR	DESCRIPTION	DATE	DWN	APVD
J	-	A		RELEASED ECR-07-023898	09OCT07	T.Z	S.Y

DIRECTION OFF TOP OF REEL



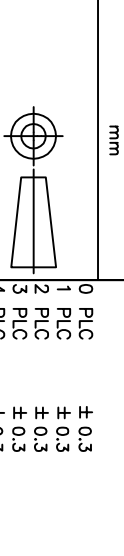
SEE DETAIL A

CONNECTOR DETAIL



THIS DRAWING IS A CONTROLLED DOCUMENT.

DIMENSIONS:	TOLERANCES UNLESS OTHERWISE SPECIFIED:
mm	
0 PLC	± 0.3
1 PLC	± 0.3
2 PLC	± 0.3
3 PLC	± 0.3
4 PLC	± 0.3
ANGLES	± 5°



BLACK	WHITE	HOUSING COLOR	QTY	POS	EMBOSS P/N	PART NO.
350	350		4	1-912070-8	5353928-2	
			4	1-912070-8	5353928-1	

DWN G. ZHANG 24MAR06  
 CHK S. YAO 24MAR06  
 APVD J. QU 24MAR06  
 PRODUCT SPEC  
 APPLICATION SPEC  
 WEIGHT  
 CUSTOMER DRAWING

NAME Tyco Electronics  
 Tyco Electronics AMP K.K.  
 Kawasaki, Japan  
 EMBOSS ASSY  
 REVERSE TYPE USB CONN. REC.  
 WITH COVER TYPE

SIZE A3  
 CAGE CODE 00779  
 DRAWING NO. 5353928

SCALE 1:1 SHEET 1 OF 2 REV A

